

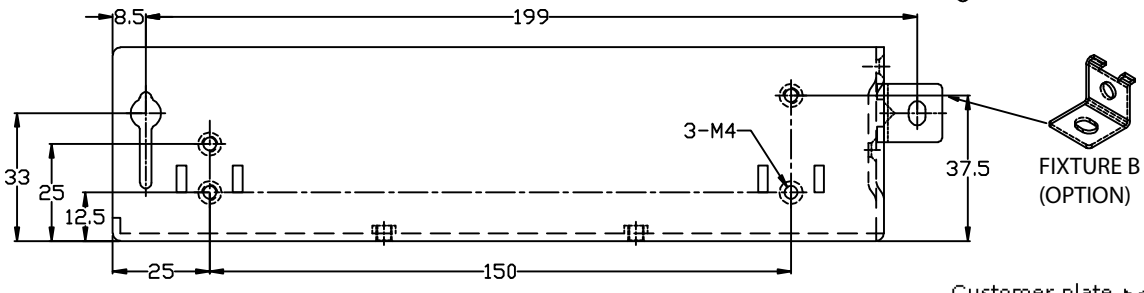
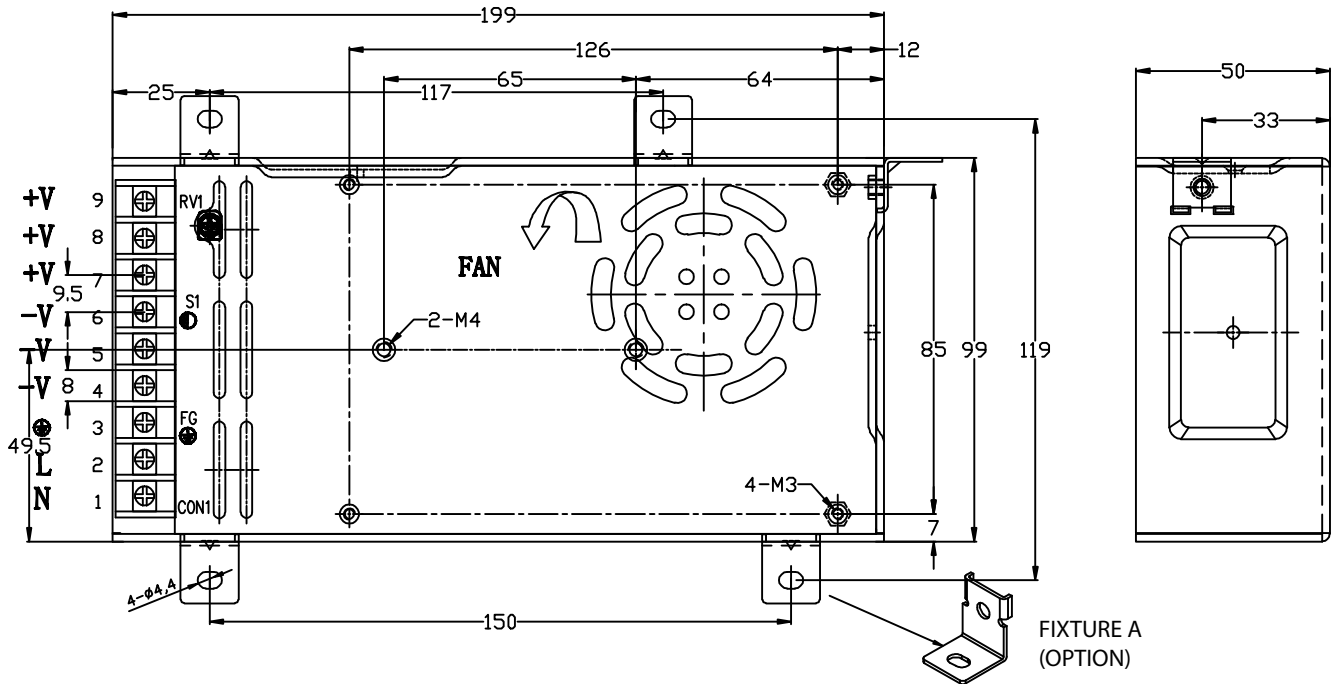
**Features:**

- Universal AC input/ Full range
- Built-in active PFC function, PF>0.95
- High Efficiency, and High Reliability
- Output Protections: OLP/OPP/SCP
- Withstand 300VAC Surge Input for 5 Sec
- Operating Altitude up to 5000m
- Wide operating ambient temperature (-25°C~70°C)
- Conformal Coating on both sides of PCB
- All using 105°C long life electrolytic capacitors.
- 100% full load burn-in test

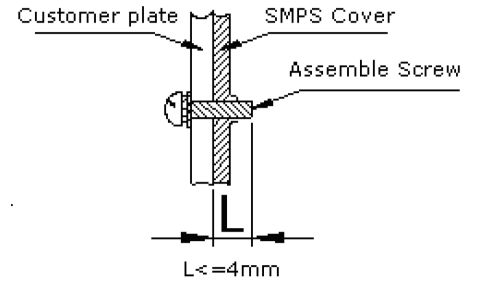


| Model | QGKF-240-5 | QGKF-240-12 | QGKF-240-24 | QGKF-240-48 |
|--------------------------------------|---|-------------|-------------|-------------|
| Output Characteristics | | | | |
| DC Output | 5V | 12V | 24V | 48V |
| Rated Current | 48A | 20A | 10A | 5A |
| Current Range (Note 1) | 0~48A | 0~20A | 0~10A | 0~5A |
| Ripple and Noise (Note 2) | <150mV | <150mV | <200mV | <200mV |
| Voltage ADJ. Range | -5% ~ +10% of rated output voltage | | | |
| Voltage Accuracy | ±1.0% | | | |
| Line Regulation | ±0.5% | | | |
| Load Regulation | ±1.0% | | | |
| Set-up Time | <2.0s (230VAC input, full load) | | | |
| Hold-up Time | >10ms (230VAC input, full load) | | | |
| Temperature Coefficient | ±0.03%/°C | | | |
| Overshoot and Undershoot | <5.0% | | | |
| Input Characteristics | | | | |
| Voltage Range | 85VAC~264VAC, 120VDC~370VDC | | | |
| Frequency Range | 47Hz-63Hz | | | |
| Power Factor (Typical) | PF>0.98/115VAC PF>0.95/230VAC | | | |
| Efficiency (Typical) | 79% | 84% | 86% | 87.5% |
| AC Current (max) | <4.0A | | | |
| Inrush Current (Typical) | <30A@115VAC Cold start <50A@230VAC Cold start | | | |
| Leakage Current | Input-Output: <0.25mA Input-PG: <1.0mA | | | |
| Protection | | | | |
| Over Load (OLP) | 120%~170% of rated output current, hiccup mode, auto recovery | | | |
| Over Power (OPP) | 120%~170% of rated output power, hiccup mode, auto recovery | | | |
| Short Circuit (SCP) | Long-term mode, auto recovery | | | |
| Environmental Characteristics | | | | |
| Operating Amb. Temp. & Hum | -25°C~70°C; 20%~90% RH Non-Condensing | | | |
| Storage Temp. & Hum | -40°C~85°C; 10%~95% RH Non-Condensing | | | |
| Vibration | 10 ~500Hz, 2G 10min/1cycle, period for 60min. Each along X, Y, Z axes | | | |
| Safety Standards | UL60950-1 2nd Ed; IEC 60950-1:2005(2nd Ed); EN60950-1: 2006 | | | |
| Withstand Voltage | Primary-Secondary: 3.0KVAC;≤10mA. Primary-PG: 1.5KVAC;≤10mA. Secondary-PG: 0.5KVDC;≤10mA | | | |
| Isolation Resistance | ≥100M ohms | | | |
| EMI Conduction & Radiation | Compliance to EN55022, EN55024 Class B | | | |
| Harmonic Current | Compliance to EN61000-3-2, -3 | | | |
| EMS Immunity | Compliance to EN61000-4-2, 3, 4, 5, 6, 8, 11; EN55024, EN61000-6-2 heavy industry level | | | |
| General Characteristics | | | | |
| MTBF (MIL-HDBK-217F) | More than 200,000Hrs (25°C, Full load) | | | |
| Dimension (LxWxH) | 199x99x50mm | | | |
| Packing | 12PCS/CTN. G.W: 9.8kgs | | | |
| Cooling Method | Cooling by forced air (built-in DC fan) | | | |
| Note | <ol style="list-style-type: none"> 1. All parameters NOT specially mentioned are measured at rated input, rated load, and 25°C of ambient temperature 2. Measured at 20MHz of bandwidth by using a 12" Twisted pair wire terminated with a 0.1uF & 47uF parallel capacitor 3. The SPS is considered a component which will be installed into final equipment. The equipment must be re-confirmed that it still meets EMC directives. | | | |

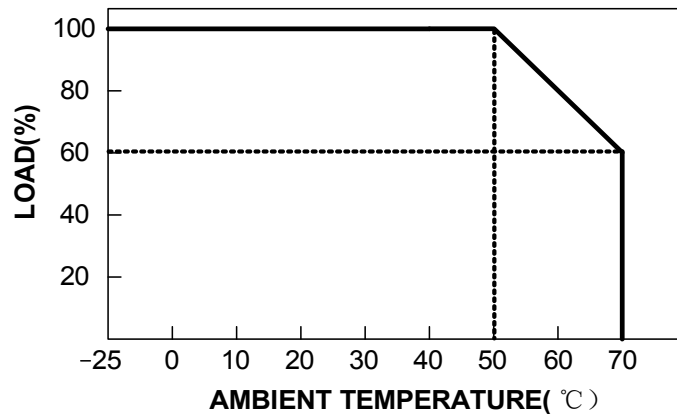
MECHANICAL SPECIFICATIONS



| Pin No. | Assignment |
|---------|--------------|
| 1 | AC-N |
| 2 | AC-L |
| 3 | F.G |
| 4,5,6 | DC output -V |
| 7,8,9 | DC output +V |



DERATING CURVE



UNIT: mm